



# HD SERIES

The HD series is an extraordinary development of the Wey knife gate valve for operation up to a maximum pressure of 100 bar. The ingenious design ensures that the pressure of the medium creates an automatic sealing effect inside the seat area. The special bonnet design also allows media containing solids to be flushed out – and, of course, it is completely airtight. This makes the HD series ideal for the most difficult applications.



## CHARACTERISTICS HD SERIES

---

**80 – 400 mm**

Nominal sizes

---

**Stainless steel, Cast steel**

Material

---

**0 – 100 bar**

Pressure rating

---

**PN40, PN63, PN100**

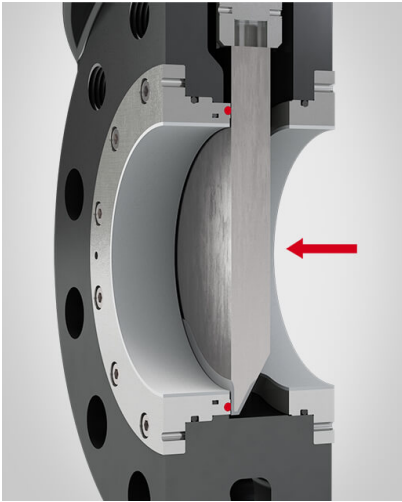
Flange drilling

---

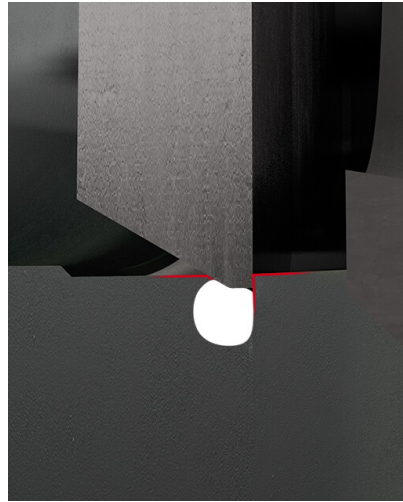
**Special length**

Face to face dimension

---



Inline pressure creates an automatic sealing effect in the seat area.



In the closed end position, the gate is also mechanically supported.



All known pipe-cleaning methods (e.g., pigs, brush cylinders, etc.) can be used with the body bore, resulting in minimal pressure drops.



Robust 4-post topwork for maximum load and a wide variety of actuator types.

## APPLICATION AREAS

### Mining

e.g. Mining slurry, Tailings ...

### Waste water treatment plants

e.g. Sludge, Digested sludge ...



Wey HDH DN 350 at our production site in Switzerland.

## MATERIAL OF CONSTRUCTION

Part	Cast steel	Stainless steel
Body	A216 WCB	1.4408
Gate	1.4301	1.4404*
Seal	PTFE	PTFE
Topwork	Carbon steel	Carbon steel
Stem / Piston rod	1.4104	1.4104

Other materials upon request

\*hard chromed

## CORROSION PROTECTION

Body	2 Comp. Epoxy-Polyamide Resin Primer, 2 Comp. Polyurethane-Enamel-Top Coat
Topwork	2 Comp. Epoxy-Polyamide Resin Primer, 2 Comp. Polyurethane-Enamel-Top Coat

## ACTUATORS



**Bevel gear**

---



**Pneumatic cylinder**

---



**Hydraulic cylinder**

---





**Electric actuator**

---

**CONTACT US FOR  
YOUR TAILOR-MADE  
SOLUTION.**

 Contact

 +41 41 449 99 44

 [rfq@weyvalve.ch](mailto:rfq@weyvalve.ch)