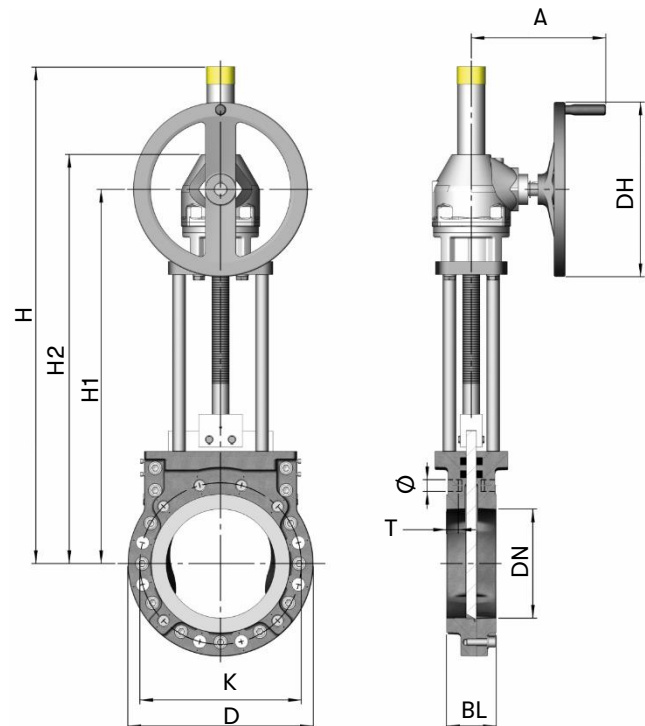


### DN 100–400 Standard construction

- Actuation by bevel gear AUMA type GK, rising stem
- Material acc. to data sheet 2.0.13
- Corrosion protection acc. to data sheet 2.0.12
- Flange drilling: PN 25 EN 1092 / ISO 7005 (DIN 2501)
- Face to Face: EN 558 / ISO 5752 Series 16 (DIN 3202 K3)
- Nominal pressure PN: 25 bar
- Test pressure acc. to EN 12266 Leakage rate A



DN	D	K	BL	Ø	T	Bolts	Tapped holes	Through bore	Type GK	Reduction	Rotation/stroke	Bevel Gear*					Weight
												H	H1	H2	DH	A	
100	235	190	64	M20	15	8 pcs.	4 pcs.	4 pcs.	10.2 <sup>1</sup>	2.0	20	587	497	582	315	264	34 kg
125	270	220	70	M24	17	8 pcs.	4 pcs.	4 pcs.	10.2	2.0	26	649	559	644	315	264	42 kg
150	300	250	76	M24	17	8 pcs.	4 pcs.	4 pcs.	10.2	2.0	51	767	580	665	315	264	51 kg
									14.2 <sup>1</sup>	2.8	71	805	623	703	400	290	66 kg
200	360	310	89	M24	21	12 pcs.	6 pcs.	6 pcs.	10.2	2.0	68	921	734	819	315	264	80 kg
									14.2	2.8	94	959	777	857	400	290	90 kg
250	425	370	114	M27	27	12 pcs.	6 pcs.	6 pcs.	14.2	2.8	118	1039	857	937	400	290	130 kg
									14.6	4.0	145	1039	857	937	500	301	133 kg
300	485	430	114	M27	27	16 pcs.	6 pcs.	10 pcs.	14.2	2.8	121	1259	977	1057	500	309	170 kg
									14.6	4.0	173	1259	977	1057	630	304	172 kg
350	555	490	127	M30	31	16 pcs.	6 pcs.	10 pcs.	14.2	4.0	202	1342	1060	1140	500	309	222 kg
									14.6	4.0	202	1342	1060	1140	630	304	222 kg
400	620	550	140	M33	35	16 pcs.	6 pcs.	10 pcs.	16.2	5.6	283	1371	1088	1169	800	354	234 kg
									14.2	2.8	162	1565	1183	1263	500	309	312 kg
400	620	550	140	M33	35	16 pcs.	6 pcs.	10 pcs.	14.6	4.0	231	1565	1183	1263	630	304	315 kg
									16.2	5.6	263	1594	1211	1292	800	354	331 kg

\* Bevel gear size will be selected according to operating conditions

<sup>1</sup> 45° turned