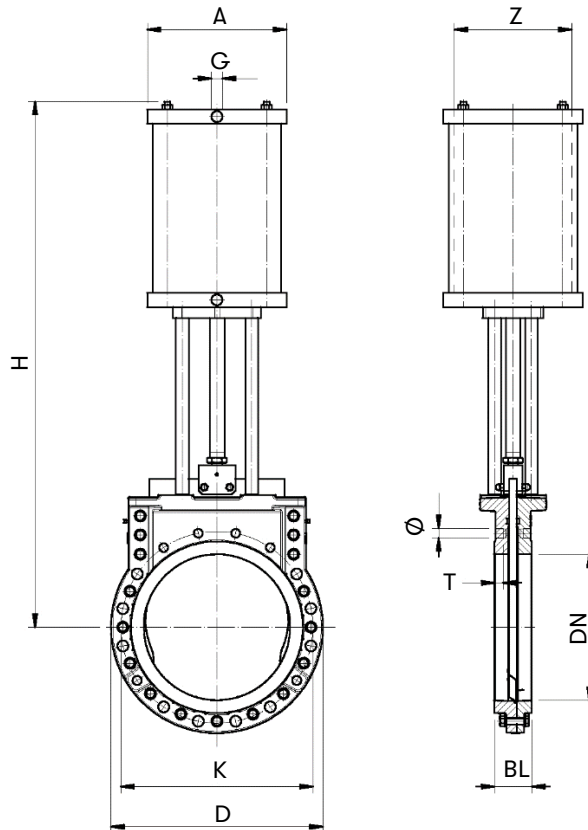


DN 50–600 Standard construction

- Materials acc. to data sheet 2.0.13
- Corrosion protection acc. to data sheet 2.0.12
- Flange drilling: PN 10/16 EN 1092 / ISO 7005
- Face-to-face: EN 558 / ISO 5752 part 20
- Nominal pressure PN: 10 bar
- Operating pressure: Refer to table column OP
- Test acc. EN 12266-1, rate A



DN	D PN 10	K PN 10 ¹	BL	H	Z ²	A	G	Ø	T	Screws	⊕	⊕	OP (bar) ²	Weight
50	165	125	43	402	100	140	ISO 228-G ³ / ₄	M16	–	4 pcs.	–	4	10	12 kg
65	185	145	46	453	100	140	ISO 228-G ³ / ₄	M16	12	8 pcs.	4	4	10	13 kg
80	200	160	46	495	100	140	ISO 228-G ³ / ₄	M16	14	8 pcs.	4	4	10	14 kg
100 ⁴	220	180	52	595	160	180	ISO 228-G ³ / ₄	M16	14	8 pcs.	4	4	10	23 kg
125 ⁴	250	210	56	654	160	180	ISO 228-G ³ / ₄	M16	16	8 pcs.	4	4	10	28 kg
150	285	240	56	728	160	180	ISO 228-G ³ / ₄	M20	16	8 pcs.	4	4	10	35 kg
200	340	295	60	887	200	220	ISO 228-G ³ / ₄	M20	15	8 pcs.	2	6	10	49 kg
250	405	350	68	1085	250	270	ISO 228-G ¹ / ₂	M20	17	12 pcs.	6	6	10	84 kg
300	460	400	78	1291	300	320	ISO 228-G ¹ / ₂	M20	21	12 pcs.	6	6	10	123 kg
350	520	460	78	1425	300	320	ISO 228-G ¹ / ₂	M20	16	16 pcs.	6	10	10	156 kg
400	580	515	102	1541	350	380	ISO 228-G ¹ / ₂	M24	24	16 pcs.	6	10	10	318 kg
450	640	565	114	1701	400	432	ISO 228-G ³ / ₄	M24	29	20 pcs.	10	10	10	480 kg
500	715	620	127	1815	450	483	ISO 228-G ³ / ₄	M24	28	20 pcs.	10	10	10	593 kg
600	840	725	154	2150	500	534	ISO 228-G ³ / ₄	M27	33	20 pcs.	10	10	10	890 kg

¹ Flange drilling PN 16 possible

² Valid at a minimum control pressure 6 bar (unproblematic media)

Other cylinder sizes according to operating and control pressure are available

³ DN 50–200 in material EN-GJS-400-15 according type MF

DN 100/125 Cylinder 45° turned