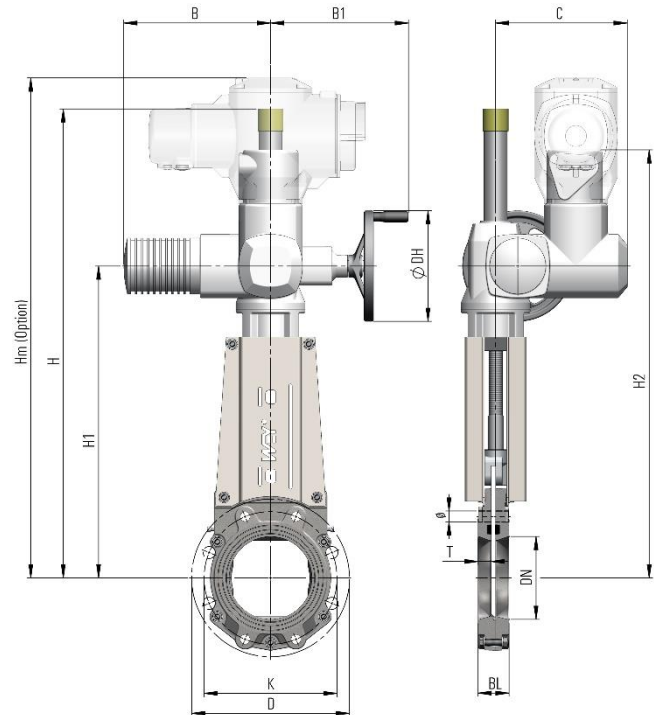


DN 50–400 Standard construction

- Valve operated by electrical actuator 3×400 V, 50 Hz, with rising stem
- Material acc. to data sheet 2.0.13
- Body and upper construction with epoxy powder coating
- Stainless steel parts without coating
- Flange drilling: PN 10/16 EN 1092 / ISO 7005
- Face-to-face: EN 558 / ISO 5752 part 20
- Nominal pressure PN: DN 50–200 10 bar
DN 250–300 6 bar
DN 350–400 4 bar
- Operating pressure: Refer to table column OP
- For dead-end installation we recommend using steel-enforced rubber gasket
- Test acc. EN 12266-1, rate A



DN	D	K	BL	H	H1	H2	Hm	DH	B	B1	C	Ø	T	Screws	⊕ ⊖		OP max.	*Actuator	Weight
									max.					bar	SA...				
50	165	125	43	²	385	595	725	160	265	249	238	M16	–	4 pcs.	–	4	10	07.2	27 kg
65 ¹	185	145	46	²	397	607	737	160	265	249	238	M16	18	8 pcs.	4	4	10	07.2	28 kg
80	200	160	46	²	415	625	755	160	265	249	238	M16	17	8 pcs.	4	4	10	07.2	29 kg
100	220	180	52	²	468	678	808	160	265	249	238	M16	20	8 pcs.	4	4	10	07.2	32 kg
125	250	210	56	²	509	719	849	160	265	249	238	M16	22	8 pcs.	4	4	10	07.2	34 kg
150	285	240	56	739	564	774	904	160	265	249	238	M20	21	8 pcs.	4	4	10	07.6	41 kg
200	340	295	60	819	644	854	984	160	265	249	238	M20	23	8 pcs.	4	4	9	07.6	47 kg
250	395	350	68	918	736	946	1076	200	283	254	248	M20	19	12 pcs.	6	6	6	10.2	65 kg
300	445	400	78	1100	818	1028	1158	200	283	254	248	M20	23	12 pcs.	6	6	6	10.2	90 kg
350	505	460	78	1313	931	1141	1271	200	283	254	248	M20	20	16 pcs.	8	8	4	10.2	114 kg
400	565	515	102	1395	1013	1223	1353	200	283	254	248	M24	28	16 pcs.	6	10	4	10.2	140 kg

* Applicable in trouble-free media

¹ DN 65 with 4 holes

² DN 50 – 125 without protection tube