

Wey Knife Gate Valve VNE

2.4.40

DN 50–400 Standard construction

Valve operated by electrical actuator 400 V, 50 Hz, with rising stem

Material acc. to data sheet 2.0.13

Body and upper construction with epoxy powder coating

Stainless steel parts without coating

Flange drilling: PN 10/16 EN 1092 / ISO 7005

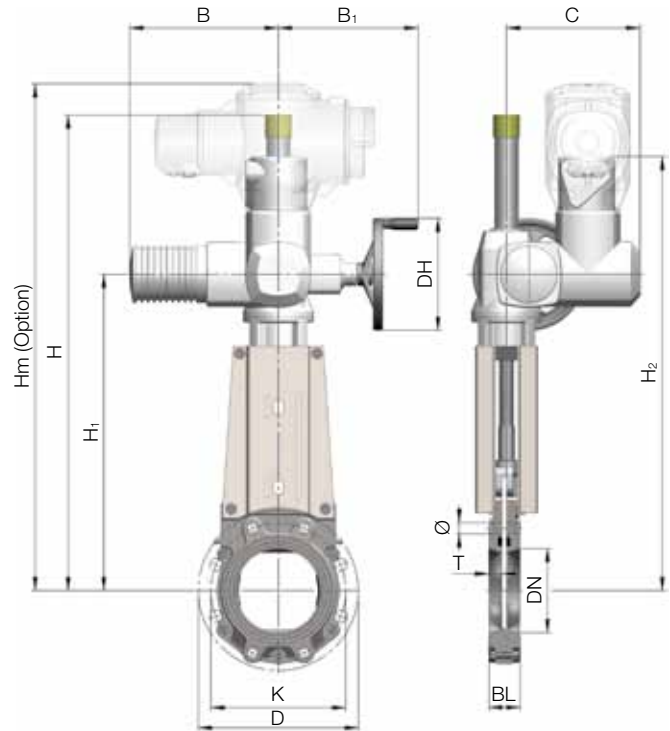
Face-to-face: EN 558-1 / ISO 5752 part 20

Nominal pressure PN: DN 50–200 10 bar
DN 250–300 6 bar
DN 350–400 4 bar

Operating pressure: Refer to table column OP

For dead-end installation we recommend to use steel-enforced rubber gasket

Test acc. EN 12266-1, rate A



DN	D	K	BL	H	H1	H2	Option Hm	DH	B max.	B1	C	Ø	T	Qty screws	⊕	⊕	OP max. bar	*Actuator SA...	Weight [kg]
50	165	125	43		385	559	725	140	265	249	237	M16	17	4	4	–	10	07.1	27
¹⁾ 65	185	145	46		397	571	737	140	265	249	237	M16	17	4	4	–	10	07.1	28
80	200	160	46		415	589	755	140	265	249	237	M16	17	8	4	4	10	07.1	29
100	220	180	52		468	642	808	140	265	249	237	M16	20	8	4	4	10	07.1	32
125	250	210	56		509	683	849	140	265	249	237	M16	22	8	4	4	10	07.1	34
150	285	240	56		554	728	894	160	265	249	237	M20	21	8	4	4	10	07.5	41
200	340	295	60	811	634	808	974	160	265	249	237	M20	23	8	4	4	9	07.5	47
250	395	350	68	924	736	910	1076	200	282	254	247	M20	19	12	6	6	6	10.1	65
300	445	400	78	1106	818	992	1158	200	282	254	247	M20	23	12	6	6	6	10.1	90
350	505	460	78	1219	931	1105	1271	200	282	254	247	M20	20	16	8	8	4	10.1	114
400	565	515	102	1401	1013	1187	1353	200	282	254	247	M24	28	16	6	10	4	10.1	140

* Applicable in trouble-free media

¹⁾ DN 65 with 4 holes