

## Wey Knife Gate Valve VNB

2.4.20

### DN 50–200 Standard construction

Material acc. to data sheet 2.0.13

Body and upper construction with epoxy powder coating

Stainless steel part without coating

Flange drilling: PN 10/16 EN 1092 / ISO 7005

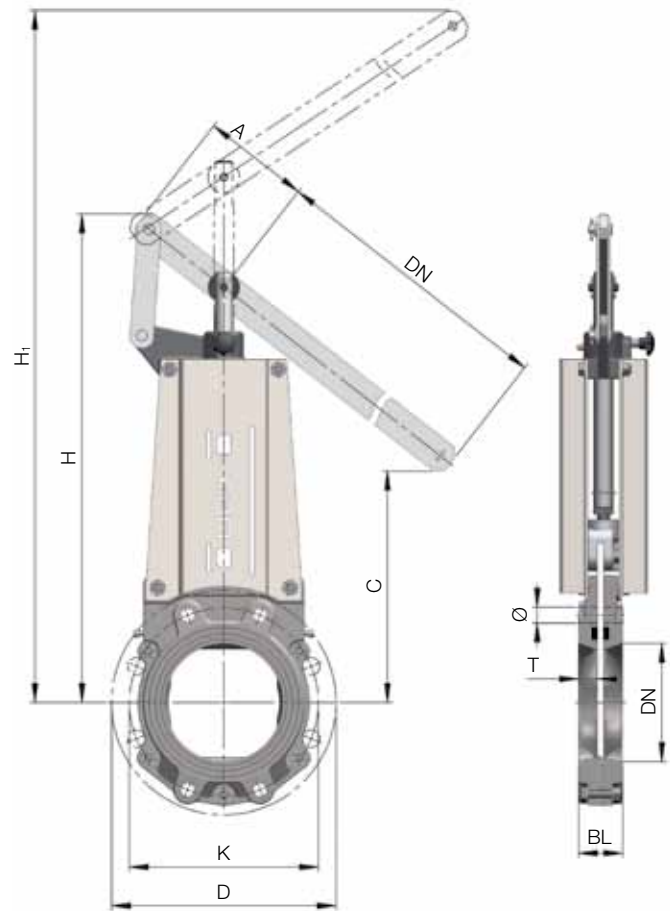
Face-to-face: EN 558-1 / ISO 5752 part 20

Nominal pressure PN: DN 50–200 4 bar

Operating pressure: DN 50–125 1 bar  
DN 150–200 0,5 bar

For dead-end installation we recommend to use steel-enforced rubber gasket

Test acc. EN 12266-1, rate A



DN	D	K	BL	H	H <sub>1</sub>	A	B	C	Ø	T	Qty screws	⊕	⊕	Weight [kg]
50	165	125	43	378	492	108	382	283	M16	17	4	4	–	8
65	185	145	46	391	528	108	382	266	M16	17	4	4	–	9
80	200	160	46	409	585	108	382	221	M16	17	8	4	4	10
100	220	180	52	493	717	126	454	267	M16	20	8	4	4	12
125	250	210	56	536	824	126	454	254	M16	22	8	4	4	15
150	285	240	56	620	1147	136	916	57	M20	21	8	4	4	23
200	340	295	60	727	1390	160	858	144	M20	23	8	4	4	35