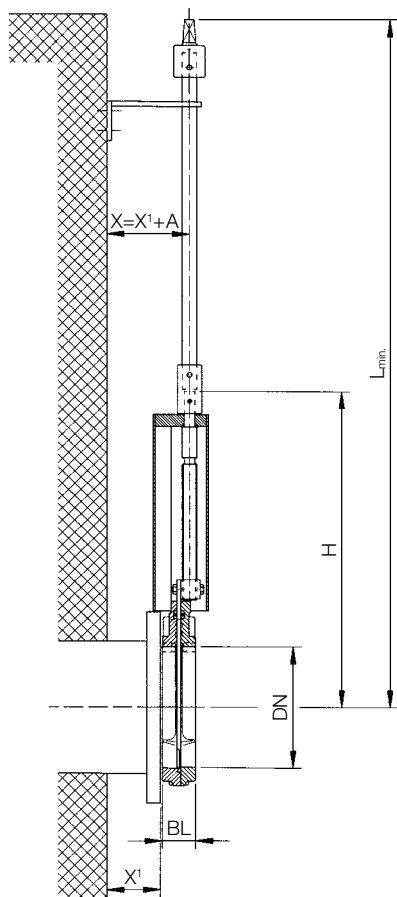


## Stem extensions for Wey Knife Gate Valves

2.20.10

### Wey Knife Gate Valve VN non-rising stem

$X_{1min.}$  important for fitting the flange bolts



DN	BL	H	$X_{1min.}$	A	$L_{min.}$
50	43	300	65	37	489
65	46	312	65	38	501
80	46	330	75	38	519
100	52	383	70	44	572
125	56	424	80	46	613
150	56	474	80	49	658
200	60	554	90	51	738
250	68	654	95	58	838
300	78	736	95	64	920
350	78	849	95	68	1033
400	102	931	105	81	1115

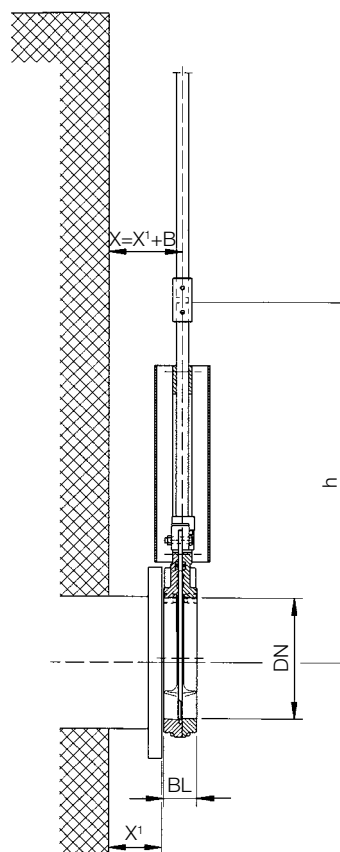
#### Stem extension

- Coupling sleeve
- Extension rod
- Stem guide
- Square nut or other actuating elements

All parts hot dip galvanized or in stainless steel

### Wey Knife Gate Valve VN rising stem/rod

$X_{1min.}$  important for fitting the flange bolts



DN	BL	h	$X_{1min.}$	B
50	43	382	65	27
65	46	409	65	28
80	46	427	75	28
100	52	480	70	31
125	56	521	80	33
150	56	566	80	34
200	60	646	90	36
250	68	736	95	40
300	78	813	95	46
350	78	926	95	46
400	102	1008	105	59

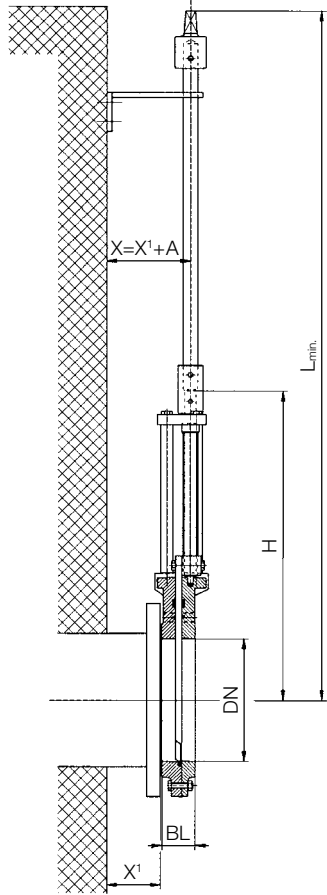
#### Important when ordering

- Valve type
- Valve size DN
- Dimension L
- Dimension X

Special designs on request

## Wey Knife Gate Valve MF non-rising stem

X<sub>1min.</sub> important for fitting the flange bolts



DN	BL	H	X <sub>1min.</sub>	A	L <sub>min.</sub>
50	43	247	65	36,5	436
65	46	266	65	38,0	455
80	46	311	75	38,0	500
100	52	357	70	44,0	546
125	56	391	80	46,0	580
150	56	449	80	49,0	633
200	60	534	90	51,0	718
250	68	634	95	60,0	818
300	78	729	95	65,0	913
350	78	820	95	69,0	1004
400	102	905	105	82,0	1099
450	114	1018	110	92,0	1201
500	127	1079	115	98,0	1262

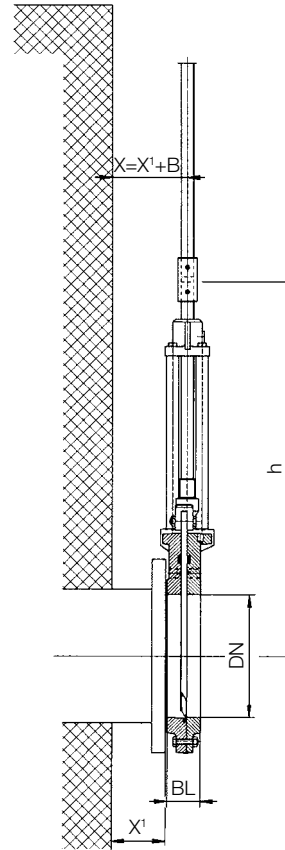
### Stem extension

- Coupling sleeves
- Extension rod
- Stem guide
- Square nut or other actuating elements

All parts hot dip galvanized or in stainless steel

## Knife Gate Valve MF rising stem/rod

X<sub>1min.</sub> important for fitting the flange bolts



DN	BL	h	X <sub>1min.</sub>	B
50	43	385,0	65	26,5
65	46	402,5	65	28,0
80	46	447,5	75	28,0
100	52	499,5	70	31,0
125	56	533,5	80	33,0
150	56	582,5	80	34,0
200	60	667,5	90	36,0
250	68	767,0	95	42,0
300	78	852,0	95	47,0
350	78	964,5	95	47,0
400	102	1047,5	105	60,0
450	114	1148,0	110	67,0
500	127	1210,0	115	73,0

### Important when ordering

- Valve type
- Valve size DN
- Dimension L
- Dimension X

Special designs on request